



VICTORY STEP™
OWNER'S MANUAL

L I P P E R T
C O M P O N E N T S®

TABLE OF CONTENTS

Introduction	2
Safety	2
Step Operation	3
Step Deployment.....	3
Height Adjustment.....	4
Step Removal.....	4
Handrail (If Equipped)	5
Installation.....	5
Removal.....	6
Stowage.....	6
Storage of Victory Step (If Installed)	6
Storage.....	6
Removal.....	7

Introduction

The Victory Step™ is an entry step assembly that can be mounted to the side of any patio opening to provide ease of entry . The suggested deck height range should be between 23"-35" for a triple step and 30"-45" for a quad step. The step assembly was designed for an operational weight rating of 300 pounds.

These instructions are for the following products:

- 719691 - Triple Victory Step
- 726891 - Triple Victory Step with Handrail Kit
- 726894 - Quad Victory Step
- 726895 - Quad Victory Step with Handrail Kit
- 726866 - Handrail Kit
- 726890 - Garage Storage Kit

Safety

WARNING

The "WARNING" symbol above is a sign that a procedure has a safety risk involved and may cause death or serious personal injury if not performed safely and within the parameters set forth in this manual. Failure to follow the instructions provided in this manual may result in death, serious injury, trailer damage or voiding of the product warranty.

WARNING

Do not exceed specified weight limits. Exceeding weight limits may cause product damage and/or personal injury.

CAUTION

The "CAUTION" symbol above is a sign that a procedure has a safety risk involved that may cause personal injury and/or product damage, including voiding of warranty, if not performed safely and in accordance with the safety procedures stated herein.

CAUTION

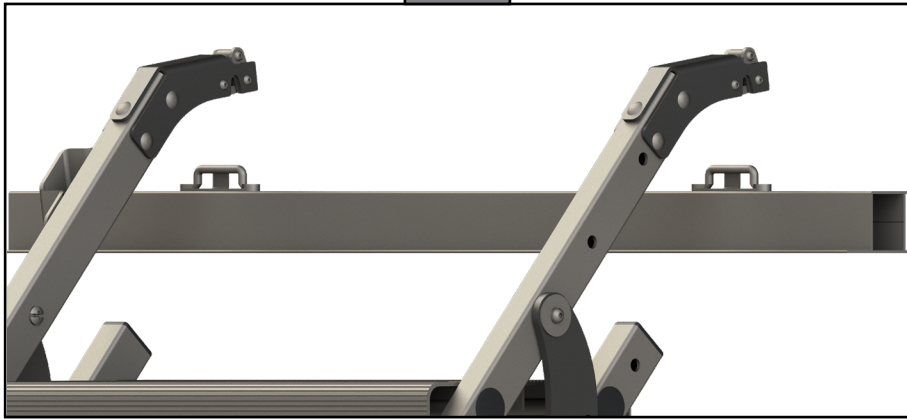
Moving parts can pinch, crush or cut. Keep clear and use caution.

Step Operation

Step Deployment

1. Align the step latches at the top of the Victory Step with the installed footman loops (Fig. 1), then lower until both step latches click into place around the footman loops.
2. Lower the Victory Step to the ground.

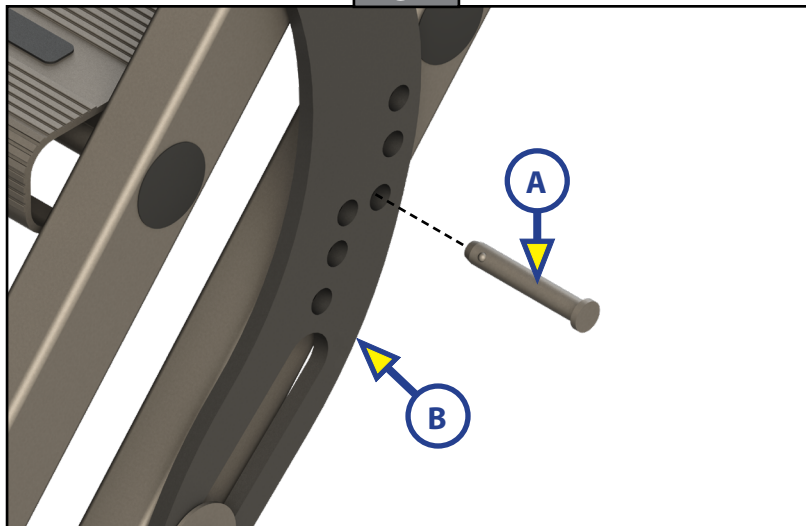
Fig. 1



3. Remove and retain the $\frac{5}{16}$ " quick release lockpin (Fig. 2A) that extends through the bottom hole in the adjustment plate (Fig. 2B) and both rails of the Victory Step. Repeat for the other side.

NOTE: After the quick release lockpins are both removed, the lower support tubes will drop down, causing the angle of the step treads to change.

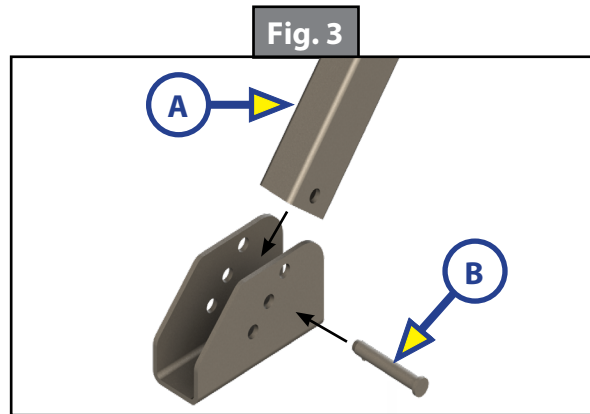
Fig. 2



4. Grasp the back of any of the step treads and lift until the treads are all level with the ground. Continue holding the steps level and replace one of the quick release lockpins into the nearest adjustment hole. This will lock the step treads at the specified angle. Install the remaining quick release lockpin in the identical hole in the other adjustment plate.

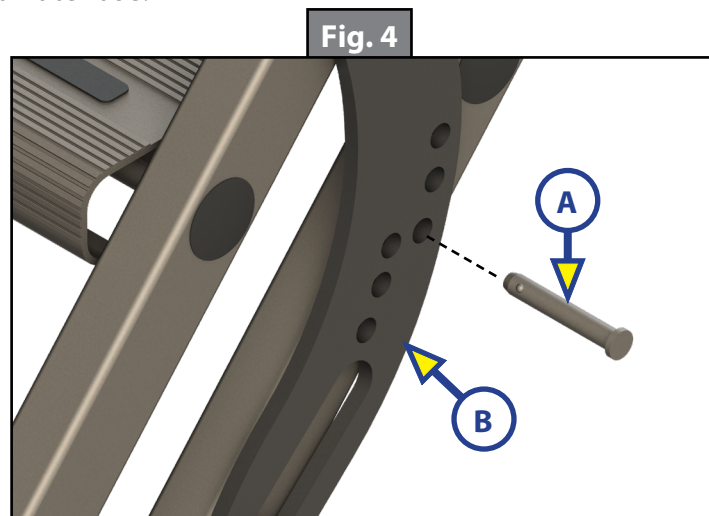
Height Adjustment

1. To adjust the foot height, lift the step and remove the fastening pin that secures the foot to the step tube.
2. Align the tube (Fig. 3A) to the desired holes then reinsert the fastening pin (Fig. 3B). Repeat on the other side, if necessary.

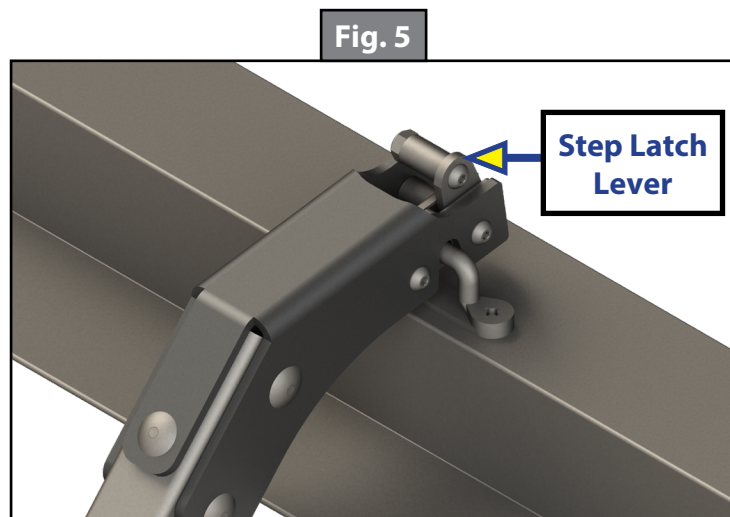


Step Removal

1. Remove the quick release locking pin (Fig. 4A) from the adjustment plate (Fig. 4B). Repeat on other side. Retain the pins for later use.



2. Collapse the Victory Step by pulling up on the back of the top step.
3. Insert the quick release lockpin through the bottom hole in the adjustment plate and both rails. Repeat on the other side.
4. Release both of the step latches from the footman loops by pushing forward on the levers (Fig. 5).
5. Lift the Victory Step away evenly from the footman loops.

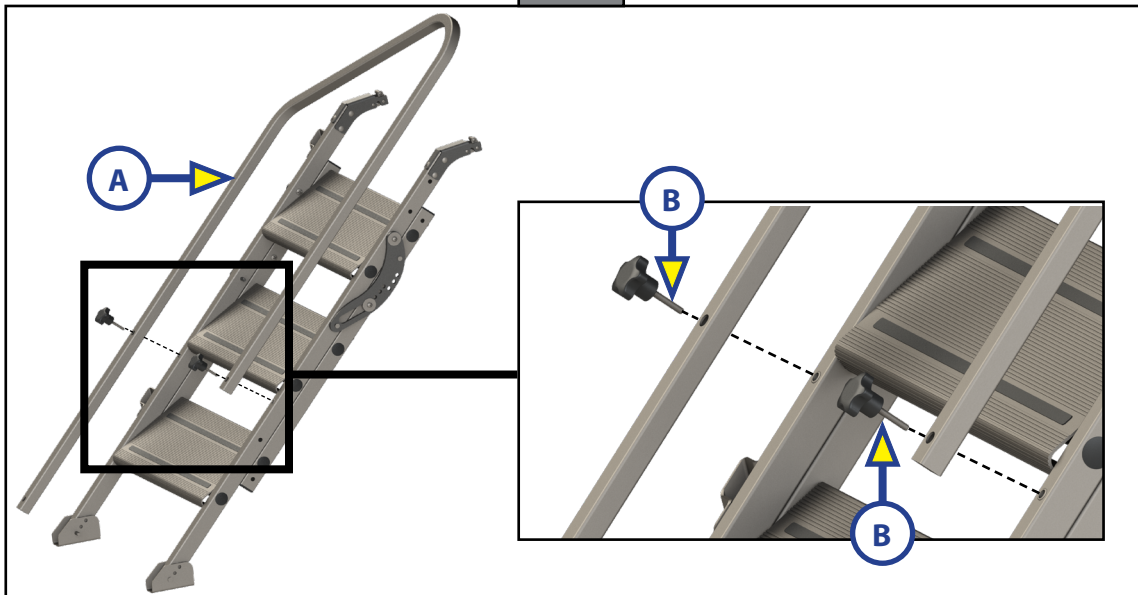


Handrail (if equipped)

Installation

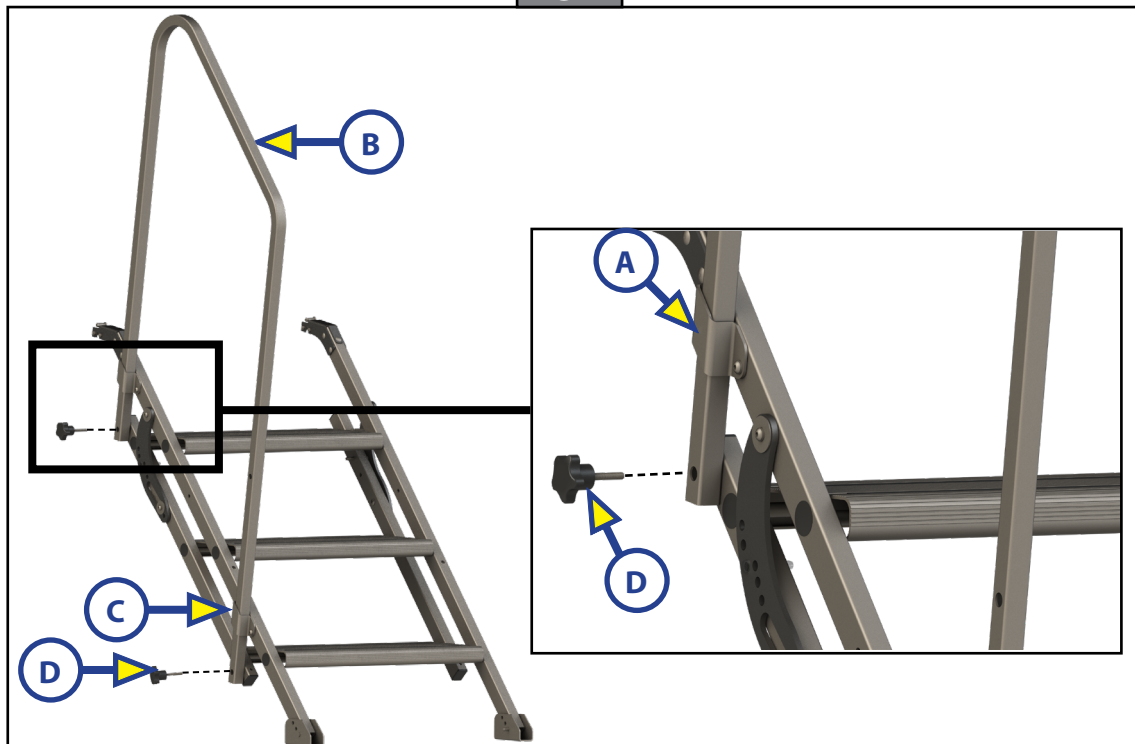
1. To remove the handrail (Fig. 6A) for installation, unscrew the fastening knobs (Fig. 6B). The knobs will be used for installation of the handrail.

Fig. 6



2. To install the handrail, align the short end of the handrail tube with the top bracket (Fig. 7A) on the left side of the Victory Step and the long end of the handrail tube (Fig. 7B) with the bottom bracket (Fig. 7C).
3. Slide both ends of the handrail tube through the brackets and align with the holes in the back tube. Screw the fastening knob (Fig. 7D) through the top hole in the handrail and into the back tube. Repeat for the bottom hole. Hand tighten both knobs.

Fig. 7



Removal

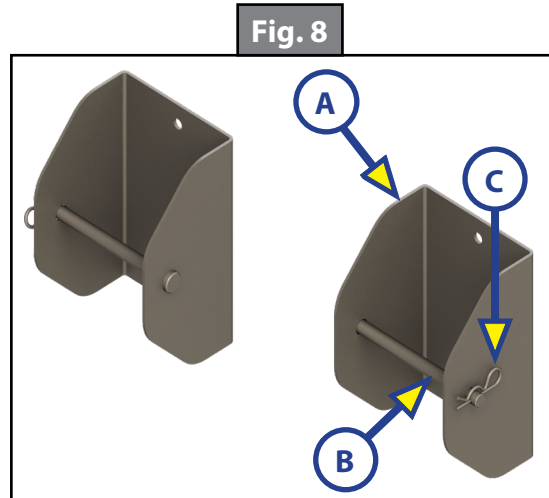
To remove the installed handrail from the Victory Step, unscrew the top and bottom fastening knobs (Fig. 7D) then slide the handrail tube out of the brackets.

Stowage

To stow the handrail, align the holes in the handrail with the holes on the front face of the Victory Step (Fig. 6). Screw the fastening knobs into the holes in the handrail, then hand-tighten until the handrail is secured to the Victory Step.

Storage of Victory Step (if installed)

The Victory Step can also be stored using the accessory Garage Kit (sold separately), which includes brackets (Fig. 8A), clevis pins (Fig. 8B) and hairpin cotter pins (Fig. 8C).



NOTE: The garage storage brackets are NOT designed to hang the Victory Step on the wall while suspended above the floor. Suspending the Victory Step above the floor could lead to wall damage. The garage storage brackets are designed to hold the Victory Step in a fixed position for travel where the feet of the step are resting on the floor and the step is leaning slightly against the garage storage brackets, which are attached to the wall.

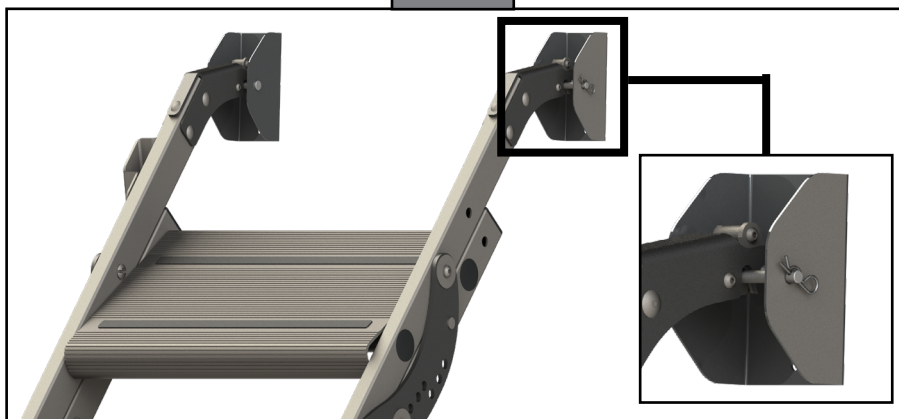
Storage

1. Ensure that both feet on the Victory Step are set to the same height adjustment, then set the step so both feet are on the ground about 3 to 4 inches away from the wall (Fig. 9).



2. Lean the top of the Victory Step towards the garage storage brackets then lower until both step latches click into place around the clevis pins (Fig. 8B) on the garage storage brackets.
3. Make sure both step latches are secure around the clevis pins (Fig. 10) and both feet are on the floor.

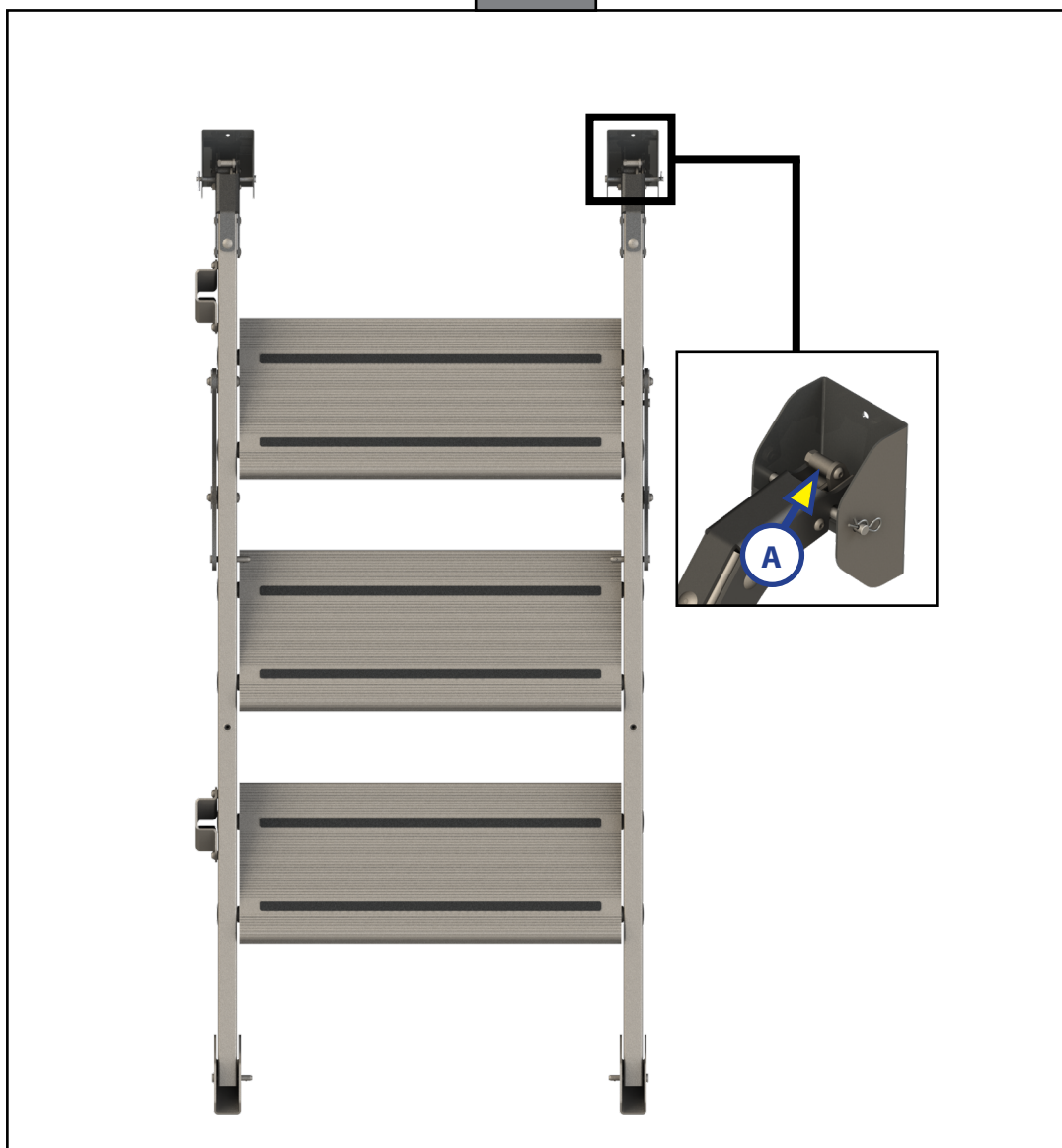
Fig. 10



Removal

To remove the Victory Step, push the step latches levers forward (Fig. 11A) then pull the step away evenly from the clevis pins.

Fig. 11





L I P P E R T C O M P O N E N T S[®]

The contents of this manual are proprietary and copyright protected by Lippert Components, Inc. ("LCI"). LCI prohibits the copying or dissemination of portions of this manual unless prior written consent from an authorized LCI representative has been provided. Any unauthorized use shall void any applicable warranty. The information contained in this manual is subject to change without notice and at the sole discretion of LCI.

Revised editions are available for free download from lci1.com.

Please recycle all obsolete materials.

For all concerns or questions, please contact
Lippert Components, Inc.

Ph: (574) 537-8900 | Web: lci1.com | Email: customerservice@lci1.com